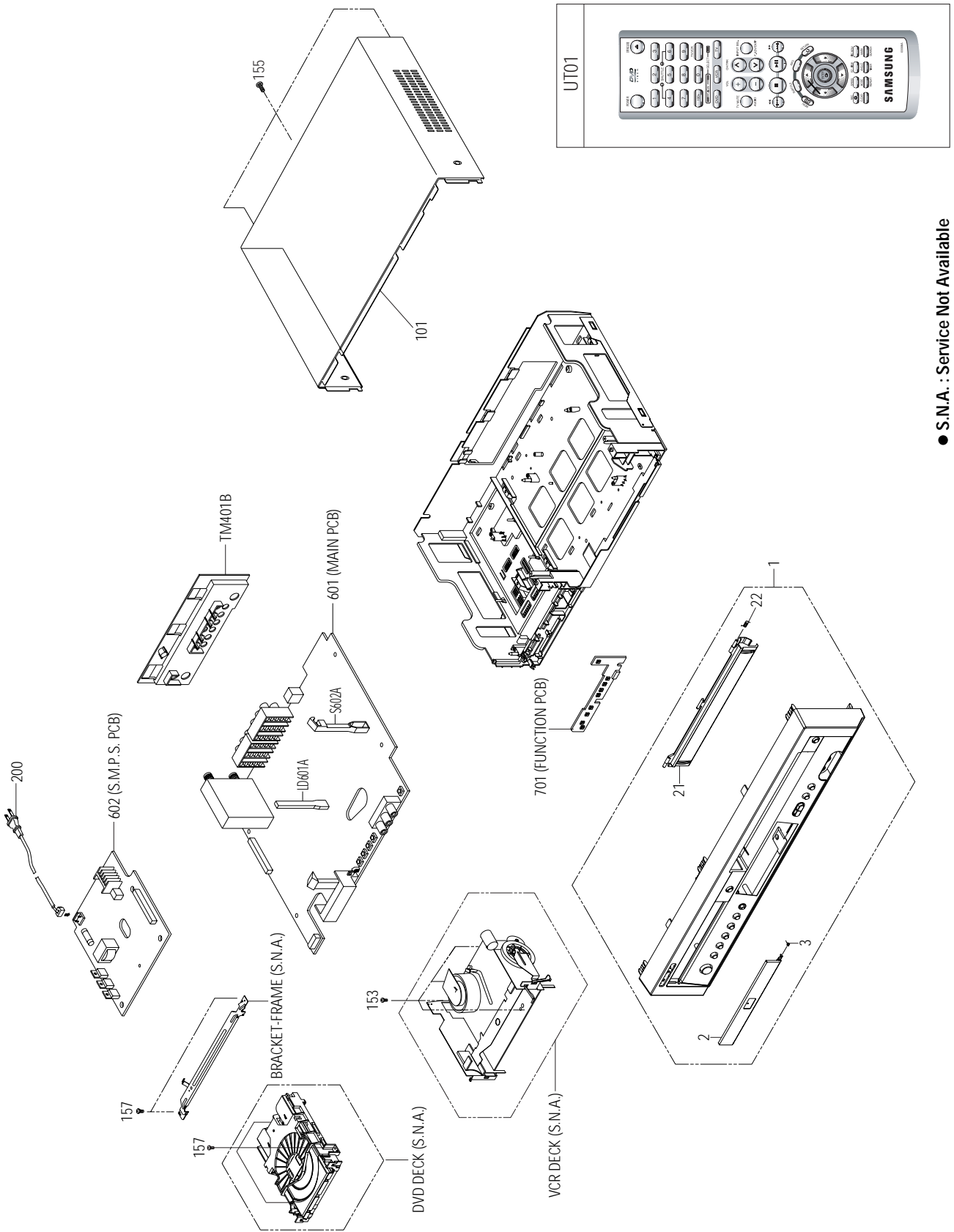

3. Exploded View and Parts List

3-1 Cabinet Assembly	-----	3-2
3-2 VCR Mechanical Parts (Top Side)	-----	3-4
3-3 VCR Mechanical Parts (Bottom Side)	-----	3-6
3-4 DVD Mechanical Parts	-----	3-8

Notice

You can search for the updated part code through ITSELF web site.
URL; <http://itself.sec.samsung.co.kr>

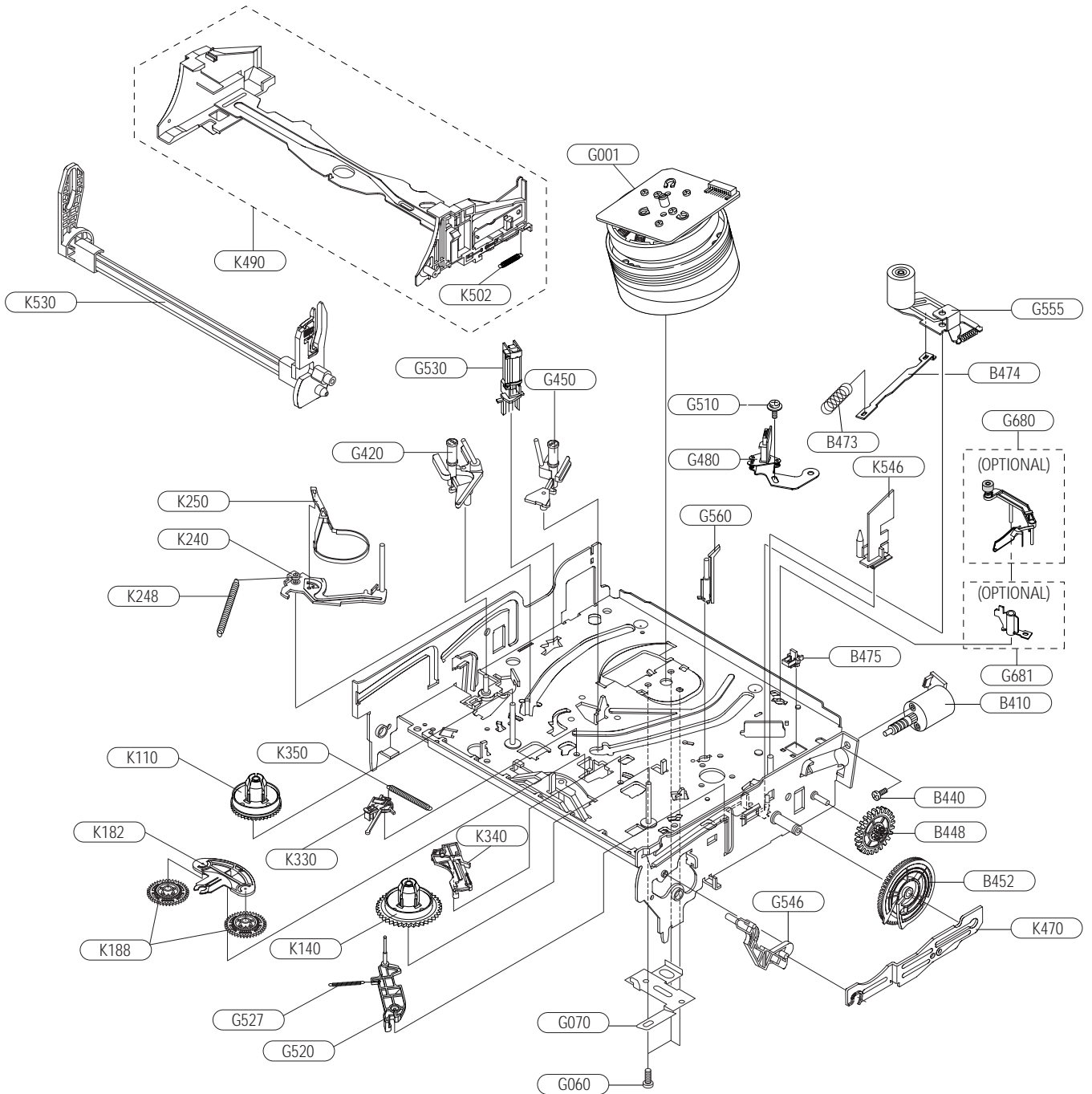
3-1 Cabinet Assembly



● S.N.A. : Service Not Available

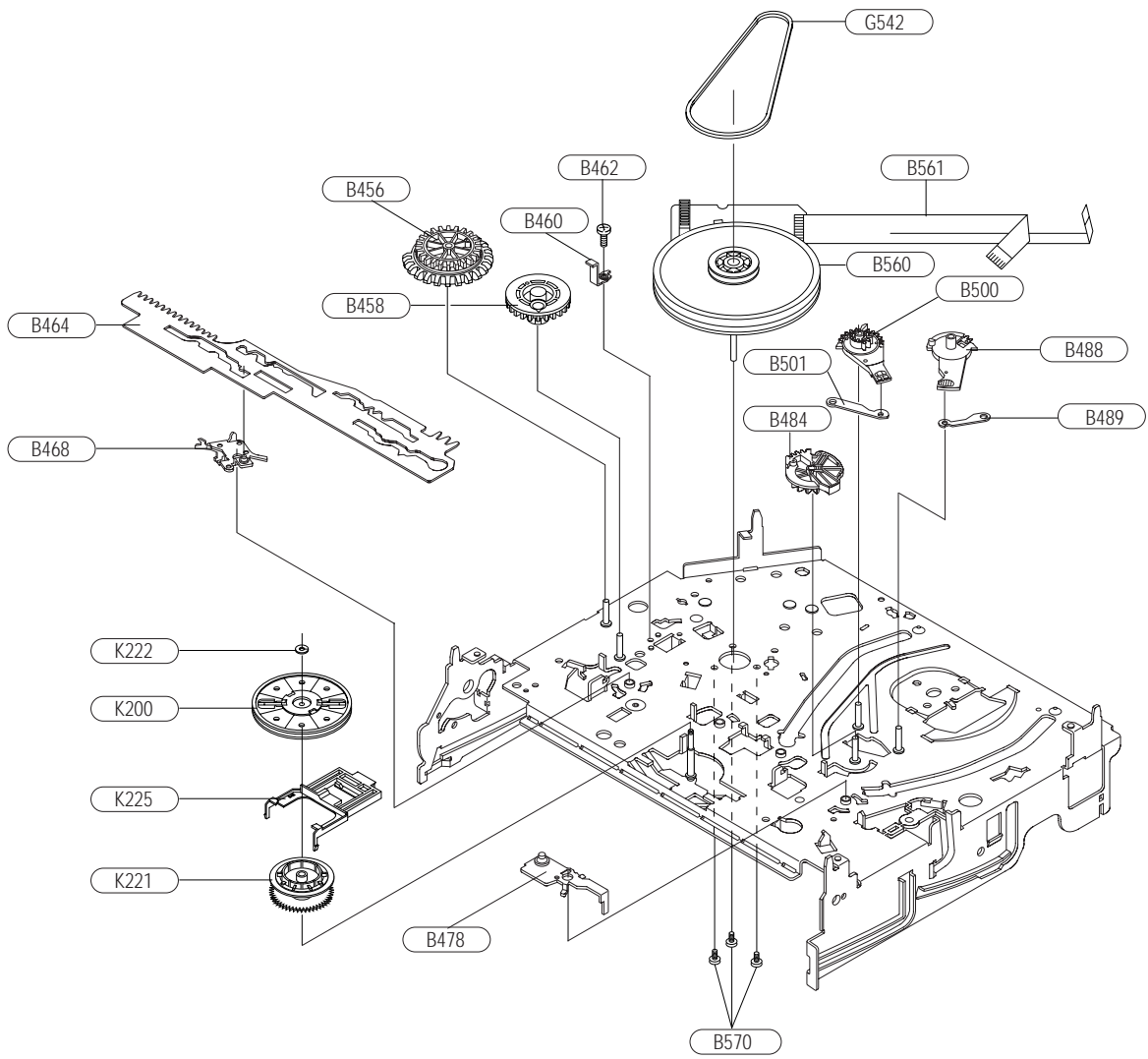
Loc. No	Parts No.	Description ; Specification	Remark
1	AK97-00358G	ASSY-PANEL FRONT;HIPS V2,DVD-V8080/AFS,0	
2	AK64-00190A	DOOR-TRAY;DVD-V3000,ABS 94HB,-,-,-,-,-,-,-,-	
3	AC61-00267A	SPRING ETC-DOOR TRAY;DVD-V5000K,SUS304,-	
21	AK64-00189T	DOOR-CASSETTE;DVD-V8080/AFS,ABS 94HB,-,-	
22	AC61-62032A	SPRING ETC-MASK;SV-C130,SUS,4.4,-,-,-,-,-,-,-,-	
101	AK64-00177D	CABINET-TOP;DVD-V3300,PCM T0.5,-,-,-,-,-,-,-,-S	
153	AC60-12126A	SCREW-BH;-,-,FE,FZY,BH,-,-,4*12,-,-	
155	6003-000275	SCREW-TAPTITE;BH,+B,M3,L10,BLK ,SWCH101	
157	AC60-10063A	SCREW-TAPTITE;-,-,L12,ZPC3,+,-,M3,-,-,SWRC	
200	AC39-10019A	CBF POWER CORD;KKP-419C,H03VVH2-F,VDE/KE	
601	AK92-00185B	ASSY PCB-MAIN;DVD-V8080,03-SECCOM430A,FR	
602	AC94-00173B	ASSY SORT-SMPS;DVD-V3300,DIVA,NTSC,FREE	
701	AC94-00174A	ASSY SORT-FUNCTION;DVD-V3000,DIVA	
LD601A	AC61-21009A	HOLDER-LED;X-9,POM(M90-44),-,-,-,-,BLK,-	
S602A	AC61-00229A	HOLDER-SENSOR;SCORPIO2,POM,-,-,-,-,BLACK,-	
TM401B	AK97-00462A	ASSY-CON BOARD;HIPS94HB+PBS T0.2,DVD-V35	
UT01	AK59-00008A	REMOCON-ASSY;DVD-V3000/XAA,SAMSUNG,-,-,-,4	

3-2 VCR Mechanical Parts (Top Side)



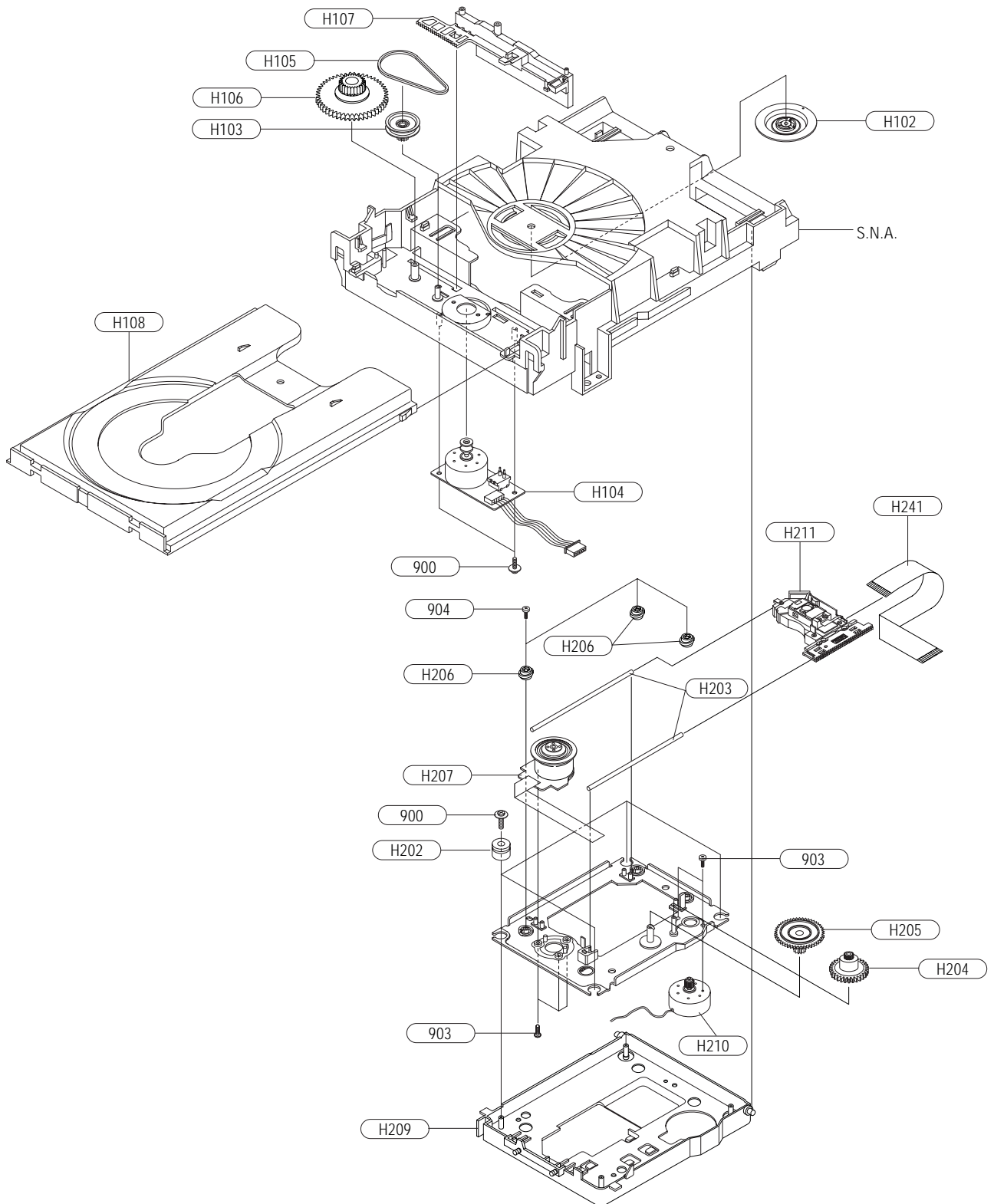
Loc. No	Parts No.	Description ; Specification	Remark
B410	AC31-00018A	MOTOR-LOADING ASSY;-;SCORPIO2(TS-10A),-,	
B440	AC60-10515A	SCREW-MACHINE;-;-;M3,L3,PH,+;-;-;ZPC,-	
B448	AC66-00008A	GEAR-WORM WHEEL;TS-10,POM,0.8,40,-,NAT,3	
B452	AC66-00011A	GEAR-FL CAM;TS-10,POM,0.8,59,-,BLK,48.48	
B473	AC61-00105A	SPRING ETC-PINCH DRIVE;TS-10,SUS304-WPB,	
B474	AC61-30180A	PLATE-JOINT;X-9,SECC20/20,T0.8,-;-;-;-;-	
B475	AC47-00002A	DAMPER-CAPSTAN;TS-10,POM,-;-;,BLACK	
G001	AC97-02027A	ASSY-CYLINDER;NTSC,6H'D-JUST,CTS9-SEM (6	
G060	6006-001092	SCREW-ASS'Y MACH;WS,PH,+;M3.0,L6.0,ZPC(Y	
G070	AC61-00161A	PLATE-GROUND DECK;TS-10,SPT,TO.3,-;-;-;-	
G420	AC66-80142A	SLIDER-SUPPLY ASSY;X-9,X-9(TS),-;-;-;-;-	
G450	AC66-80141A	SLIDER-TAKE UP ASSY;X-9,X-9(TS),-;-;-;-;-	
G480	AC97-01655A	ASSY-HEAD ACE;-;SCORPIO2(TS-10A),HVMXA11	
G510	AC60-10518A	SCREW-TAP TITE;-;-;M2.6,L5.6,PH,+;SW+ZW,	
G520	AC66-00033A	LEVER-#9 GUIDE ASS'Y;TS-10,-;-;-;-;-;-	
G527	AC61-60553A	SPRING ETC-GUIDE 9;X-9,SUS304-WPB,0.25,-	
G530	AC33-00007A	HEAD-FE;-;-;HVFHPOO43A,-;-	
G546	AC66-00005A	LEVER-FL DOOR;TS-10,POM,-;-;-;-;NAT,-	
G555	AC66-00032A	LEVER-UNIT PINCH ASS'Y;TS-10,-;-;-;-;-;-	
G560	AC61-00122A	POST-#8 GUIDE ASS'Y;TS-10,POM+SUS 303,-;	
G680	AC66-00046A	LEVER-HEAD CLEANER ASS'Y;TS-10,POM+URETH	
G681	AC61-50686A	SLEEVE-HEAD CLEANER;TS(X-9),-;-;-;-;-;-	
K110	AC66-10267A	REEL-DISK S;X-9,POM,-;-;-;-;-;-	
K140	AC66-10268A	REEL-DISK T;X-9,POM,-;-;-;-;-;-	
K182	AC66-30524A	LEVER-IDLER;-;POM,-;-;-;-;-;-	
K188	AC66-00039A	GEAR-IDLE;TS-10,PET K3372,0.5,-;-;NTR,28	
K240	AC66-00035A	LEVER-TENSION ASS'Y;TS-10,SECC E20/20+SU	
K248	AC61-00107A	SPRING ETC-TENSION LEVER;TS-10,SUS304-WP	
K250	AC69-00104A	BAND-BRAKE ASS'Y;TS-10,-;-;-;-;-;-	
K330	AC66-30550A	LEVER-S.BRAKE ASSY;-;POM+SUS,-;-;-;X-9	
K340	AC66-30549A	LEVER-T.BRAKE ASSY;-;POM+SUS,-;-;-;X-9	
K350	AC61-00106A	SPRING ETC-BRAKE;TS-10,SUS304-WPB,-;-;-;	
K470	AC66-00020A	SLIDER-FL DRIVE;TS-10,SECC E20/20,1.0,-;	
K490	AC61-00120A	HOLDER-FL CASS. ASS'Y;TS-10,-;-;-;-;-;-	
K502	AC61-60561A	SPRING ETC-FL.LEVER-LR;X-9,SUS304 WPB,OD	
K530	AC66-00034A	LEVER-FL ARM ASS'Y;TS-10,-;-;-;-;-;-	
K546	AC61-50658A	GUIDE-CASS. DOOR;X-9,POM,-;-;-;NTR	

3-3 VCR Mechanical Parts (Bottom Side)



Loc. No	Parts No.	Description ; Specification	Remark
B456	AC66-00009A	GEAR-JOINT 1;TS-10,POM,1.5,17.5(22),-,NA	
B458	AC66-00012A	GEAR-JOINT 2;TS-10,POM,1.0,23,-,BLK,24.6	
B460	AC61-00090A	BRACKET-GEAR;TS-10,SECC E20/20,0.8,-,-,-	
B462	AC60-10517A	SCREW-TAP TITE;-,-,M2.6,L5,PH,+,-,-,ZPC,	
B464	AC66-00019A	SLIDER-CAM;TS-10,SECC E20/20,1.2,-,-,-,-	
B468	AC66-00017A	LEVER-PINCH DRIVE;TS-10,SECC E20/20,1.0	
B478	AC66-00016A	LEVER-TENSION DRIVE;TS-10,SECC E20/20,1	
B484	AC66-00030A	GEAR-LOADING DR. ASS'Y;TS-10,POM+SWPB,-,	
B488	AC66-00023A	LEVER-S LOADING;TS-10,POM,-,-,-,-,NAT,-	
B489	AC66-00021A	LINK-LOADING S;TS-10,SECC E20/20,0.8,-,-	
B500	AC66-00024A	LEVER-T LOADING;TS-10,POM,-,-,-,-,NAT,-	
B501	AC66-00022A	LINK-LOADING T;TS-10,SECC E20/20,0.8,-,-	
B560	AC31-00022A	MOTOR BLOWER-CAPSTAN;DMVCMC10A, F2QVB35	
B561	3809-001429	CABLE-FLAT;30V,80C,140MM,10P,1.25MM,UL28	
B570	AC60-10514A	SCREW-CAPSTAN;-,-,M2.6,L6,PH,+,-,-,-,-	
G542	AC66-60051A	BELT-PULLEY;-,-5CM-70,2 * 2,-,-,71.3,-,-,X-9	
K200	AC61-21012A	HOLDER-CLUTCH ASSY;X-9,-,-,-,-,-,-,-	
K221	AC66-20581A	GEAR-CENTER ASSY;-,-,POM,M=0.5,-,-,HIGHT T.,	
K222	AC60-30306A	FASTENER-WASHER SLIT;-,-,ID2.1,OD5.0,T0.	
K225	AC66-00006A	LEVER-UP DOWN;TS-10,POM,-,-,-,-,NAT,-	

3-4 DVD Mechanical Parts



Loc. No	Parts No.	Description ; Specification	Remark
900	6003-001157	SCREW-TAPTITE;PWH,+,B,M2,L6,ZPC(YEL),SWR	
903	6001-001370	SCREW-MACHINE;CH,+,M1.7,L3.0,ZPC(YEL),SW	
904	6002-001086	SCREW-TAPPING;PH,+,B,M1.7,L5.0,ZPC(YEL),	
H102	AH66-00111B	CLAMPER-ASSY;DP-5,POM+MAGNET,-,-,-,-,-,-	
H103	AK66-00007A	PULLEY-GEAR;DP-9,POM,-,-,-,-,-,-,-	
H104	AK31-00003A	MOTOR-LOAD ASSY;SM-2412L2,DP-9,-,-,-,-,-,-	
H105	6602-001076	BELT-RECTANGULAR;CR,T1.2,4.3%,1.2X25.1,B	
H106	AK66-00008A	GEAR-TRAY;DP-9,POM,-,-,-,-,-,-,-	
H107	AK66-00009A	SLIDER-HOUSING;DP-9,POM,-,-,-,-,-,-,-	
H108	AK63-00008B	TRAY-DISC;DP-9,ABS,-,-,-,-,-,BLK,DP-9	
H202	AK73-00005A	RUBBER-INSULATOR;DP-9,BUTYL RUBBER,-,-,-,-	
H203	AH61-50327A	SHAFT-P/U;DP-3,SUS420J2,L84.7,OD3,-,-,-,-	
H204	AK66-00010A	GEAR-FEED A;DP-9,POM,-,-,-,-,-,-,-	
H205	AK66-00011A	GEAR-FEED B;DP-9,POM,-,-,-,-,-,-,-	
H206	AK61-00032A	HOLDER-CAM SKEW;DP-9,POM,-,-,-,-,BLACK,-	
H207	AK31-00004A	MOTOR SPINDLE;RSM-2606A1,DP-9,350MA,-,-,-,-	
H209	AK64-00052A	CHASSIS-SUB;DP-9,ABS(SR-0320),0,0,0,-,-,-,-	
H210	AK31-00005A	MOTOR-FEED ASSY,-,-,DP-9,-,-,-,-,-,-,-,-,-	
H211	AK97-00166B	ASSY-PICK UP;-,-,SOH-DSSB T544C,SEM,W/T	
H241	3809-001409	CABLE-FLAT;30V,80C,230MM,24P,1MM,UL2896	

MEMO